



tracks

2Way Track

ERail Track

Unitrack

3Way Track

Unibeam Track

Track Motors

Unicyc Track

Chain Track

T60 Track

Diamond Track

Emerald Track

TRACKS

J&C Joel offer a selection of manual and motorised tracking systems to suit all types of drapes. We supply the industry leading brands such as Triple E, Hall Stage, Silent Gliss and Goelst. It is important that the right track matches the right drape.

Our experienced team will advise the best track for your drape and purpose, from a school blackout window drape to the world's leading Opera Houses.

We have a selection of either walk-along, corded or motorised systems. These are then matched to the drapes size, weight and action required. Tracks can be straight, curved and even custom shaped.



2WAY TRACK

2Way track is a medium duty system designed for walk-along operation used for side masking drape, perimeter tracks, window tracks, dividing drapes or any application where walk along operation is required, dependent on the weight of the drapes to be installed. The system is easily curved and can be used with hook and rufflette tape headings. The track shares the carriers and suspension components from the 3Way system. The track is available in a silver or black anodised finish. See our product download for a more in depth look at the track and our datasheets area for technical information.

Tracks

2W01B	Straight Track	Black
2W01B750	750mm x 1m 90° Curved Section	Black
2W01B1000	1m x 90° Curved Section	Black
2W01BC	Track Curved to order	Black
2W01S	Straight Track	Silver
2W01S750	750mm x 90° Curved Section	Silver
2W01S1000	1m x 90° Curved Section	Silver
2W01SC	Track Curved to order	Silver



Carriers



Plain Wheel Runner
3W06P



Ball Raced
Wheel Runner
3W06C



Master Runner
3W07W

Suspension Parts



M8 2Way
Attachment Nut
M8ENUT



Hook Clamp
ERL14B Black
ERL14S Silver



Ceiling Mount Clips
3W30 (5 pairs)



Wall Bracket
TRA16



Studding (M8 x 150mm)
c/w Nuts & Washers)
direct to track
ERL 18

Accessories



End Stop
3W24



Wine Hook for Rufflette
Headed Curtains
2W29

To download our technical datasheets visit www.jcjoel.com

ERAIL TRACK

ERail track is a medium duty compact profile, extruded aluminium track. Suitable for walk-along, manual corded and motorised operation and with a range of fixings it is a very flexible track suitable for any number of applications in a wide range of venues, excluding the heaviest professional main stage curtains. Almost silent in operation ERail is an ideal choice for small stages, conference halls, hotels and school halls. See our product download for a more in depth look at the track and our datasheets area for technical information.



Tracks

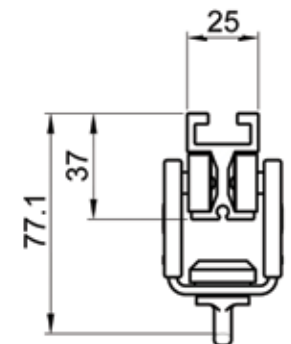
30W01B	Straight Track	Black
30W01S	Straight Track	Silver

Drives

HTDW	Hand Tracdrive Wall Mounted
HTDF	Hand Tracdrive Floor Mounted
TRADP1	Remote Pendant for Tracdrive Controller
TRAD3W	Tracdrive (Wall mounted motorised control system for 3Way with on track limits, open, close, stop and variable speed functions)



Joint Plate
ERL05



Carriers



Two Wheel Runner
ERL06



Master Runner for Walk-along Track
ERL07



Master Runner for Corded Straight Track
ERL07S



Master Runner for Corded Curved Track
ERL20



Master Runner Overlap Arm
ERL07A

Curved Track Parts



Curve Cord Guide
ERL19



Head Pulley Cord Guide
ERL21



Curve Track Suspension Bracket
ERL23

Pulleys



Head Pulley
ERL09



Return Pulley
ERL10



Foot Stirrup
TRA11



Adjustable Floor Pulley
TRA12

Accessories



Endstop
ERL24



Line Pickup
ERL25



Overlap Clip
ERL26

Cord



8mm Black Polyester Cord
TRA27

Suspension Parts



Hook Clamp for 50mm Tube/Truss
ERL14B Black
ERL14S Silver



Deadline Fixing
TRA15



Wall Bracket
TRA16



Mounting Bracket
ERL17



Studding (M12 x 150mm c/w Nuts & Washers for use with ERL17/ERL23)
TRA18



Studding (M8 x 150mm c/w Nuts & Washers) direct to track
ERL18



M8 E Rail Attachment Nut
M8ENUT

UNITRACK

Unitrack track is a heavy duty system, formed from fabricated steel, in a runway profile it is capable of creating solid running surfaces for the runners which are available as two and four wheeled depending on the application and also available as rearfold operation. The track is robust, versatile and reliable, suitable for walk-along, manual corded and motorised operation along with a comprehensive range of track fittings to meet your requirements. The track and standard components are available in matt black. See our product download for a more in depth look at the track and our datasheets area for technical information.

Tracks

TRA01	0.25m Standard Track	Black
TRA02	0.5m Standard Track	Black
TRA03	1m Standard Track	Black
TRA04	2m Standard Track	Black
TRC10/90	1m x 90 Deg Curved Section	Black
TRC15/90	1.5m x 90 Deg Curved Section	Black
TRC20/90	2m x 90 Deg Curved Section	Black
TRC30/90	3m x 90 Deg Curved Section	Black

Special Curves to order are minimum Radius 75cm

Drives

HTDW	Hand Tracdrive Wall Mounted
HTDF	Hand Tracdrive Floor Mounted
TRADP1	Remote Pendant for Tracdrive Controller
TRAD3W	Tracdrive (Wall mounted motorised control system for 3Way with on track limits, open, close, stop and variable speed functions)



Carriers



2 Wheeled Runner
TRA06



4 Wheeled Runner
TRA06C



Rearfold Runner 2 Wheeled
TRA06R



Master Runner
TRA07



Master Runner c/w Adjustable Rope Clamp
TRA07S



Overlap Arm
TRA07A



Scenery Carrier Top Only 50kg SWL
TRA28A



Scenery Carrier Bottom Only
TRA28B



Scenery Carrier Arm Curved Track
TRA28ARM



Scenery Carrier Heavy Duty, Top Only 100kg SWL
TRA28AHD



Scenery Carrier Arm Heavy Duty
TRA28HDARM

Pulleys



Head Pulley
TRA09



Return Pulley
TRA10



Foot Stirrup
TRA11



Adjustable Floor
Pulley
TRA12



Single Track
Head Pulley
TRA31H



Single Track Head
Pulley Heavy Duty
TRA31HHD



Single Track
Return Pulley
TRA31R

Curved Track Parts



Curve Cord
Guide Set
TRA19



Curve Master
Runner
TRA20



Curve Master
Runner Heavy Duty
TRA20HD



Curve Head
Pulley Set
TRA21



Curve Return
Pulley Set
TRA22



Curve Suspension
Bracket
TRA23

Side Cord Parts



Side Cord
Guide
TRA32



S/C Centre
Overlap
Diverter
TRA33



S/C Head & Return
Pulley Set (3 Part)
TRA34



S/C Rope Clamp
for Master Runner
TRA35



Side Cord Guide
Heavy Duty
TRA32HD



S/C Centre Overlap
Diverter Heavy Duty
TRA33HD



S/C Head & Return
Pulley Set (3 Part)
Heavy Duty
TRA34HD

Suspension Parts



Hook Clamp for
48-51mm tubes/truss
TRA14



Deadline Fixing
TRA15



Wall Bracket
TRA16



Offset Plate
TRA17



Studding (M12)
(150mm c/w Nuts & Washers)
TRA18

Accessories



Endstop
TRA24



Flat Endstop
TRA24S



Line Pickup
TRA25



Joint Set
TRA05

Cords



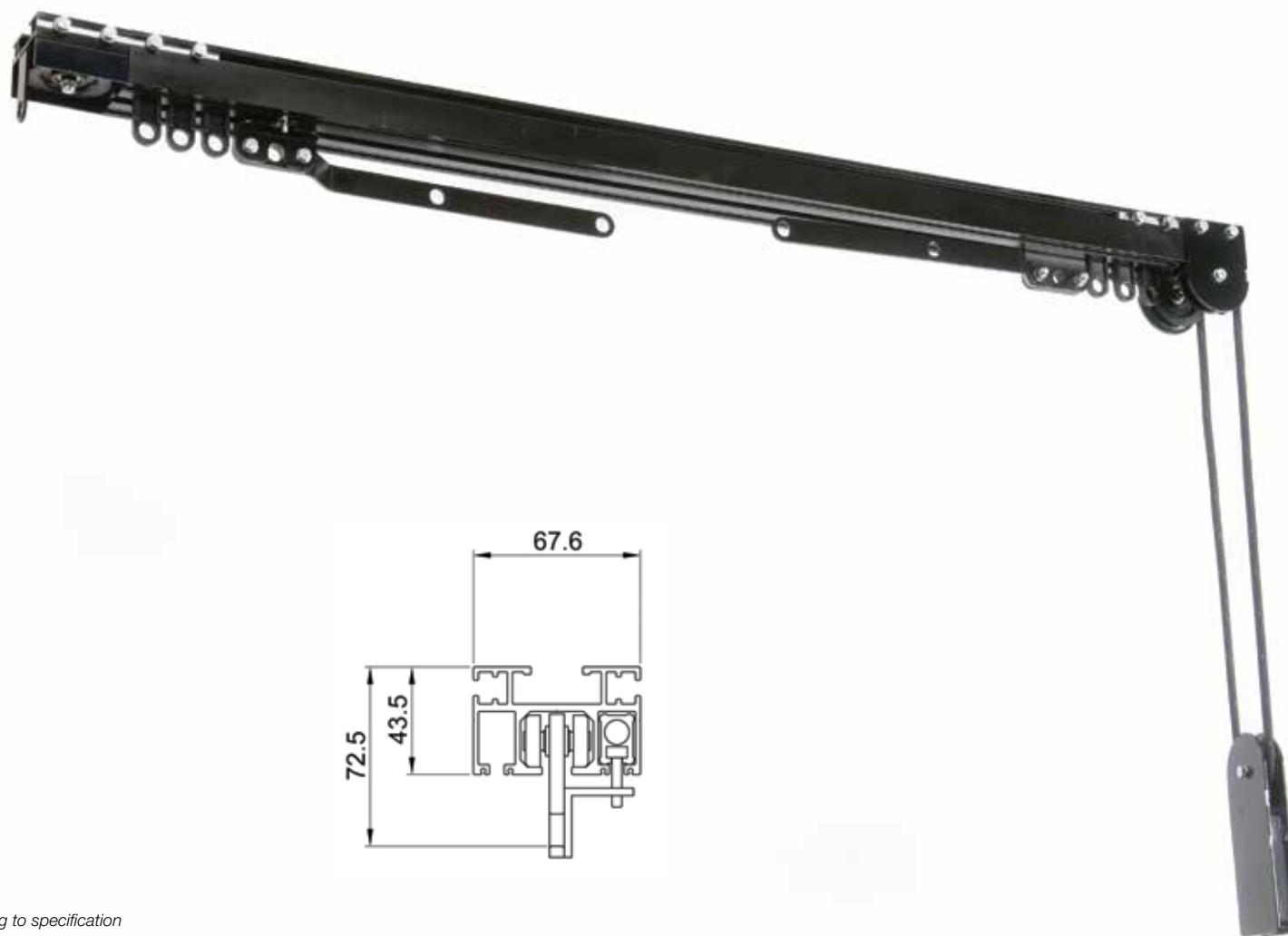
8mm
Polyester Cord
TRA27



5mm Cotton Covered
2.5mm Wire Rope
TRA27W

3WAY TRACK

3 Way is a medium duty, straight track suitable for walk-along, manual corded or motorised operation. The track is manufactured from an aluminium extrusion and is available in black or silver finish, due to the design of this track it is only available as a straight track. Overlaps can be achieved using an overlap track section or overlap arms on the master carriers. The compact dimensions and uncluttered design make it ideal for application here the track is in view. See our product download for a more in depth look at the track and our datasheets area for technical information.



Tracks

30W01B	Straight Track
30W01S	Straight Track

Drives

HTDW	Hand Tracdrive Wall Mountec
HTDF	Hand Tracdrive Floor Mounte
TRADP1	Remote Pendant for Tracdriv
TRAD3W	Tracdrive (Wall mounted motorised control syste track limits, open, close, stop and vari

Special motors and multi axis control drives quoted according to specification

Carriers



Plain Wheel Runner
3W06P



Ball Raced
Wheel Runner
3W06C



Master Runner for
Walk-along Tracks
3W07W



Master Runner for
Corded Tracks
3W07R

Arms



Overlap Arm
3W07AS Silver
3W07AB Black



Wipe Arm
3W07WB Black
3W07WS Silver

Pulleys



Centre Overlap Assembly
3W26B Black
3W26S Silver



Head Pulley
3W09B Black
3W09S Silver



Return Pulley
3W10B Black
3W10S Silver



Side Head Pulley
3W09SB Black
3W09SS Silver

Accessories



Walk-along
Endstop
3W24



Joint Set
3W05

Suspension Parts



Channel Nut MB
Specify M8, M10 or M12
3WCN8



Hook Clamp
3W14B Black
3W14S Silver



Ceiling Mount Clips
3W30 (5 pairs)



Wall Bracket
TRA16



Studding Set (150mm
c/w Nuts & Washers)
Specify M8, M10 or M12
3W18

Cord



8mm Polyester Cord
TRA27

UNIBEAM TRACK

Unibeam is an aluminium extruded black anodised track section. The external dimensions are the same as the Unitrack system. The track is rigid enough to be used as a suspension beam and can be curved to a minimum radius of 1m. Unibeam uses the same component range as Unitrack, the difference is that the Unibeam section incorporates a 'Tee' slot in its upper and lower webs that accept standard channel nuts. Unibeam is perfect for permanent installations in heavy duty applications. See our product download for a more in depth look at the track and our datasheets area for technical information.

Tracks

UBM01	Straight Track	Black
UBM01C	Curved Track (min rad. 2m)	Black

Drives

HTDW	Hand Tracdrive Wall Mounted
HTDF	Hand Tracdrive Floor Mounted
TRADP1	Remote Pendant for Tracdrive Controller
TRADB1	Tracdrive (Wall and track mountable motorised control system for Unibeam with on track limits, open, close, stop and variable speed functions)



Special motors and multi axis control drives quoted according to specification

Carriers



2 Wheeled Runner
TRA06



4 Wheeled Runner
TRA06C



Rearfold Runner
2 Wheeled
TRA06R



Master Runner
TRA07



Master Runner
c/w Adjustable
Rope Clamp
TRA07S



Overlap Arm
TRA07A



Scenery Carrier
Top Only 50kg
SWL
TRA28A



Scenery Carrier
Bottom Only
TRA28B



Scenery Carrier
Heavy Duty,
Top Only
100kg SWL
TRA28AHD



Scenery Carrier
Heavy Duty
TRA28AHDARM



Scenery Carrier
Top Only
385kg SWL
UBM28A



Uni ring
URING

Pulleys



Head Pulley
UBM09



Return Pulley
UBM10



Single Track
Head Pulley
UBM31H



Single Track
Return Pulley
UBM31R



Single Track Head
Pulley Heavy Duty
UBM31HHD



Foot Stirrup
TRA11



Adjustable Floor
Pulley
TRA12

Curved Track Parts



Curve Cord
Guide Set
UBM19



Curve Head
Pulley Set
UBM21



Curve Return
Pulley Set
UBM22



Curve Suspension
Bracket
UBM23

Side Cord Parts



Side Cord
Guide
UBM32



S/C Centre
Overlap Diverter
UBM33



S/C Head & Return
Pulley Set (3 Part)
UBM34



Side Cord Guide
Heavy Duty
UBM32HD



S/C Centre Overlap
Diverter Heavy Duty
UBM33HD



S/C Head & Return
Pulley Set (3 Part)
Heavy Duty
UBM34HD

Suspension Parts



Hook Clamp for
48-51mm tubes/truss
UBM14



Wall Bracket
UBM16



Offset Plate
UBM17



Studding Set (M12)
(150mm c/w Nuts & Washers)
UBM18

Cords



8mm
Polyester Cord
TRA27



5mm Cotton Covered
2.5mm Wire Rope
TRA27W

Accessories



Endstop
UBM24



Flat Endstop
UBM24S



Line Pickup
UBM25



Overlap Clip
UBM25



Joint Set
UBM05

TRACK MOTORS

Triple E track mounted motors available to suit their range of medium-heavy duty track systems, the TDRIVE and the SDRIVE. The TDRIVE is primarily intended for Unitrack and Unibeam and the SDRIVE is designed for ERAIL. These motors can be used with straight and curved systems. TDRIVE and SDRIVE are plug and play motors with incorporated control electronics in the motor housing assembly. All power and control elements simply plug into the motors with no on-site wiring required.

If you require a motorised track that are incorporated into a central control system we can supply the TRACKDRIVE or EDRIVE motors with limit switches only and no control system. The housing incorporates an isolator and a junction box for connections. The TRACDRIVE motor is intended for Unitrack and Unibeam systems and EDRIVE motors are intended for Erail tracks but both these motors can be attached to all tracks with adapter brackets if required. TDRIVE and TRACDRIVE motors can be wall mounted if preferred.

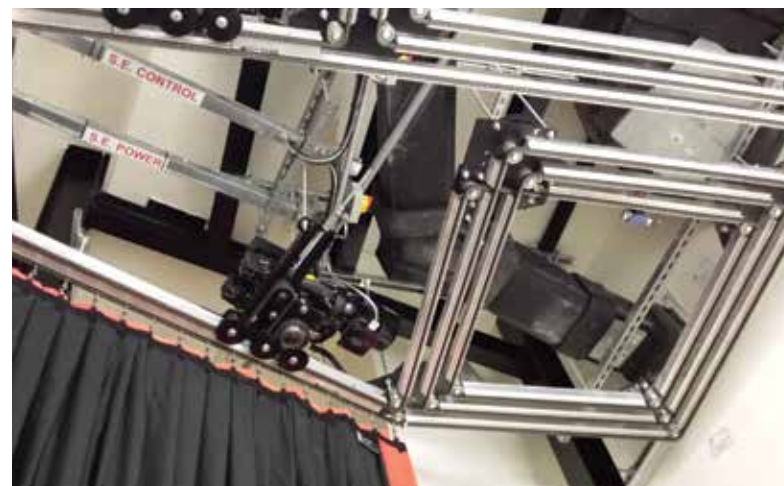
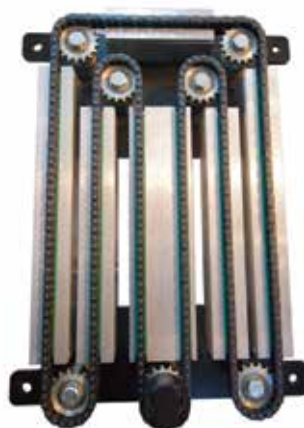


E Drive TRADR1
S Drive and T Drive available

DID YOU KNOW?
SPECIFICATIONS
OF ALL TRACK
MOTORS CAN BE
DOWNLOADED
AT JCJOEL.COM

CHAIN TRACKS

Chain Track is a precision motorised tracking system for medium to heavy-duty applications that features a duplex chain from which drapes are suspended. The system can stack any specified number of drapes or backdrops and allows them to be exchanged when required, making it ideal for stages with little or no flying space. Each Chain Track is custom designed for each customer, the systems rigid chain ensures that drapes cannot bunch and always hang flat, while the built-in encoders ensure that the movement is precise and capable of recreating exact drape positions time and time again. See our product download for a more in depth look at the track and our datasheets area for technical information.



UNICYC TRACK

Unicyc is a cost effective walk-along heavy-duty track system for studios and perimeter drape systems. Supplied in its natural unpainted aluminium finish the track is available in lengths of up to 6m. Curved sections are also available with a minimum radius of 1m, the track has been specifically developed for the needs of TV Studio installations and can include drop out sections, side stretch beams and floor tracks.



Tracks

CYC01	Straight Track	Silver
CYC01C	Curved Track	Silver

Carriers



Standard Runner
3W06P

Suspension Parts



Hook Clamp for
48-51mm Tube/Truss
TRA14



Deadline Fixing
TRA15



Wall Bracket
TRA16



Studding Set (150mm
c/w Nuts & Washers)
TRA18

Accessories



End Stop
CYC24



Joint Set
CYC05

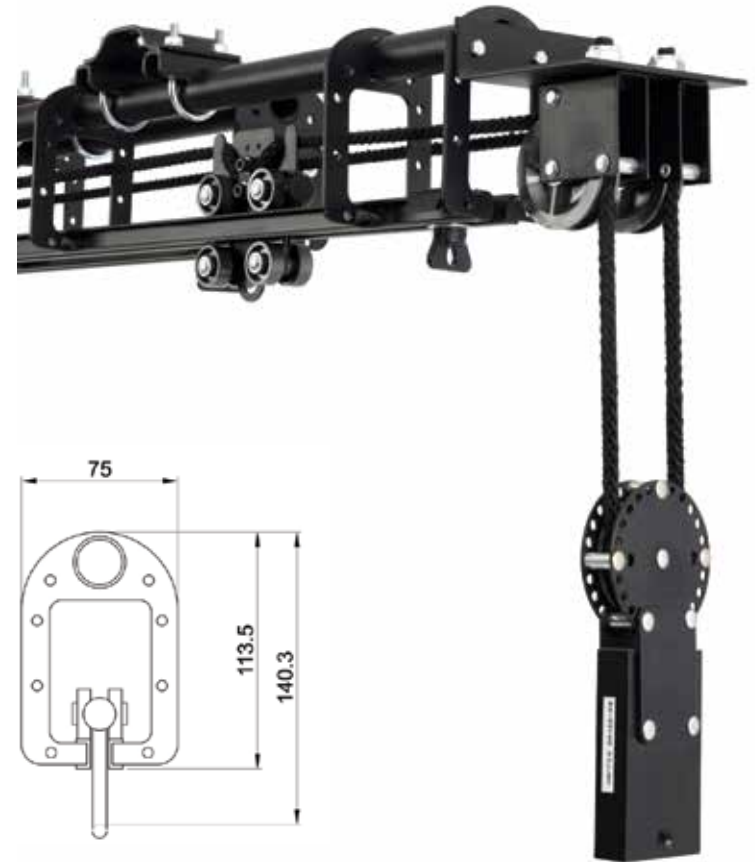
To download our technical datasheets visit www.jcjoel.com

T60 TRACK

T60 stage track is a great product with a 100 year history. It is a reliable, dependable, high quality stage track designed to meet the exacting requirements of any stage. Designed with the entertainment industry in mind, T60 stage track can be supplied with switch points, reverse curves, banjo ends and swivel arm carriers as standard. T60 can be used for rear-folding & beam tracked systems and a vast range of scenery & drape motion applications. Suitable for electric drives, hand winches, handline or walk-along operation, the T60 track can be manufactured to meet numerous configurations.

Tracks

00575	T60 Straight Section 0.25m	00578	T60 Straight Section 1.50m
00576	T60 Straight Section 0.50m	00583	T60 Straight Section 1.75m
00579	T60 Straight Section 0.75m	00584	T60 Straight Section 2.00m
00580	T60 Straight Section 1.00m	00585	T60 Straight Section 2.50m
00581	T60 Straight Section 1.25m	00586	T60 Straight Section 3.00m



Pulleys



Pulley Floor Fixing
01182



Pulley Return
01187



Pulley Headline Head
01188



Pulley Cable Head
01189



Pulley Weighted Floor
03758



Pulley Guide (per 2)
03759

Accessories



Line Guide (per 2)
01193



Overlap Clip (per 2)
03291



Joint Bolt Set (per 10)
03756



Line Support (per 2)
03760



Curved Lead Block (per 2)
05729



Stop Bracket (per 2)
05730

Carriers



Carrier Ballraced for
Swivel Arm
00517



Carrier Master Ballraced
Straight / Curved Track
(per 2) 03752



Carrier Master Plain
Wheels Curved Track
(per 2) 03751



Carrier Master Plain
Wheels Straight Track
(per 2) 03750



Carrier Slider
(per 10)
03749



Runner Ballraced
(per 10)
00542



Runner Plain
Wheeled (per 10)
02132

Fixings



Bracket Face Fixing
(per 2)
01181



Clip Barrel Fixing 25mm
to 48mm (per 2)
05756



Clip Girder Fixing 75mm
to 150mm Flange (per 2)
03453



Clip Tube Fixing 48mm
Barrel (per 2)
03136



Deadline Suspension
Fitting (per 2)
00963



Universal Fitting
(per 2)
03753

Girder Fixings



Swivel Action Only
04425



Swivel Action
03607 2m Arm

Tube Fixings



Swivel Action Only
03604 38mm
03605 48mm



Swivel Action Barrel
03614 48mm with 2m Arm
05713 36mm with 2m Arm

Wood Fixings



Swivel Action Only
05782



Swivel Action
03602 2m Arm

DIAMOND TRACK

The J&C Joel Diamond track allows large scale Front of House Drapes the ability to open via a traveller bi-parting or swagged tableau operation. As the system is housed within in its own truss system it can also be flown and provide a guillotine operation too. The Diamond track systems are custom engineered and built to suit each theatres requirements. The system is designed to ensure a quiet, fast and efficient operation. The system can operate via its own hand held control or a bespoke control system incorporated into a stage management system. We can also build a touring system if required.

EMERALD TRACK

The J&C Joel Emerald track allows large scale Front of House Drapes the ability to open via a festoon or reefer operation. It allows for the vertical decorative opening and closing of the ornate swagged drape design. As the line shaft pulley design is housed within in its own truss system it can also be flown and provide a guillotine operation too.

DID YOU KNOW?
SPECIFICATIONS FOR
ALL PRODUCTS CAN
BE DOWNLOADED
AT JCJOEL.COM



Finished Diamond Track



Emerald Track