

RDMIX LightShark

USER MANUAL

Introducción

The RDM X Series are DMX/RDM splitters and boosters designed for reliable data distribution in professional setups. They regenerate the signal to reduce reflections and keep the network stable and free of interference.

At **LightShark** we hope it meets all your expectations.

Thank you very much for trusting us.



By Equipson S.A.

Copyright

© Equipson SA 2026, All rights reserved.

No part of this manual, including the products or software described herein, may be reproduced, transmitted, or translated into any language in any form or by any means without the express prior written consent of Equipson S.A.

The guarantee of the product or service will not be extended if: (1) the product is repaired, modified or altered, unless the repair, modification or alteration is authorized in writing by Equipson SA; (2) the serial number of the product cannot be clearly read or is not present.

EQUIPSON SA PROVIDES THIS MANUAL "AS IS" WITHOUT WARRANTIES OF ANY KIND, EITHER EXPRESS OR IMPLIED, INCLUDING BUT NOT LIMITED TO IMPLIED WARRANTIES, MARKET CONDITIONS OR ADJUSTMENTS FOR ANY PURPOSE. IN NO EVENT SHALL EQUIPSON SA, ITS DIRECTORS, OFFICERS, EMPLOYEES OR AGENTS BE LIABLE FOR ANY DAMAGES, WHETHER INDIRECT, SPECIAL, INCIDENTAL, OR CONSEQUENTIAL (INCLUDING DAMAGES FOR LOSS OF PROFITS, BUSINESS, LOSS OF USE OR DATA, BUSINESS INTERRUPTION OR THE LIKE), EVEN IF EQUIPSON SA HAS BEEN ADVISED THAT THE POSSIBILITY OF SUCH DAMAGES MAY ARISE FROM ANY DEFECT OR ERROR IN ITS MANUALS OR PRODUCTS.

THE SPECIFICATIONS AND INFORMATION CONTAINED IN THIS MANUAL ARE FOR INFORMATIONAL PURPOSES ONLY AND ARE SUBJECT TO CHANGE AT ANY TIME WITHOUT NOTICE AND MAY NOT BE USED AS A COMMITMENT BY EQUIPSON SA. EQUIPSON SA ASSUMES NO RESPONSIBILITY FOR ANY ERRORS OR INACCURACIES THAT MAY APPEAR IN THIS MANUAL, INCLUDING THE PRODUCTS AND/OR THE SOFTWARE DESCRIBED IN IT.

The products and corporate names appearing in this manual may (or may not) be trademarks or copyrights of their respective companies, and are used herein only for identification or explanatory purposes and for the benefit of the owner, without intent to infringe such standards.

Policy

This equipment complies with EMC Directive 2004/108/EC and LVD 2006/95/EC.

This product is approved by the following safety standards: EN 60950~1:2006 + A11:2009 + A1:2010 + A12:2011 + A2:2013

AND EMC standards EN55022: 2010 EN61000-3-3: 2013 EN55020:2007+ A11 EN61000-4-2: 2009 EN61000-4-3: 2006 + A1+ A2

ATTENTION: Any modification or change made to this device, unless explicitly approved by Equipson SA, will void the authorization to use this device.

NOTE: This equipment has been tested and found to comply with the limits for a Class B digital device, pursuant to Part 15 of the FCC Rules.

For further details please contact: Equipson SA, AV El Saler nº14, Silla, Valencia, Spain.

1-INTRODUCTION

1.1	Safety instructions	5
1.2	Product Features	6
1.3	Box content	6
1.4	Product Features	7
1.5	Device Connection	9
1.6	Clamp Mounting	10

2-TECHNICAL SPECIFICATIONS

2.1	Specifications	11
-----	----------------	---	---	---	---	---	---	---	---	----

SECTION 1: INTRODUCTION

1.1 Safety Instructions

Please read the following Safety Notes carefully before starting to work with the product. These notes include important safety information about installation, use, and maintenance.

- Before using this product, carefully read the instruction manual and keep it for future reference.
- You must use a power supply according to the voltage marked on the rear panel, you will void the warranty in case of using an inadequate voltage.
- Before connecting the device to the electric outlet ensure that the power cord is not damaged.
- Always connect the device to the power supply supplied in the box.
- Install the device in a flat and stable location.
- This product is rated IP20 so do not install near water or wetness, it is for indoor use only.
- Place the device away from heat sources such as radiators. Make sure there are no flammable materials near the device when it is in operation.
- Never connect the device to an electrical regulator or rheostat.
- To prevent the risk of shock, do not open or disassemble the unit.
- Never pull the power cord to turn off the device.
- If you install the device at a high place, please make sure that the bracket is properly fixed and secured.
- Equipson SA will not accept any liability for damage caused by unauthorized modifications or improper use of the device.
- If the device needs repair, contact Equipson SA or an authorized distributor.

1.2 Product Features

The RDMX is a DMX splitter that shares the same aluminum chassis design as the NODE6X & NODE12X.

DMX/RDM Processing

Active signal regeneration. Clean and stable output on all ports.

Power Supply

Internal supply.

Optical Isolation

Individual isolation per Port.

Dmx-Only Mode

Filters out non-dmx traffic (including rdm). Useful for legacy or non-compliant devices.

RDM Visibility

Fully visible to rdm controllers. simplifies device identification and troubleshooting.

Connectivity

5-pin xlr connectors.

Up to 2 universes.

10 total outputs configurable: 2×6 or 1×12 via button.

Line termination

Built-in terminator with button.

Thru port

Maintains signal continuity when unpowered, pins 4 and 5 are also passed through.

Status leds

Per-Port leds for dmx/rdm signal presence for quick visual diagnostics.

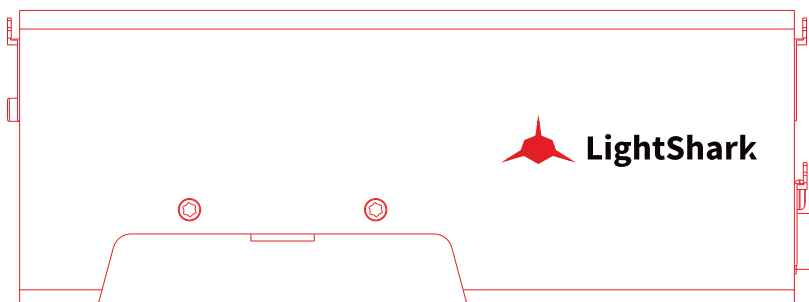
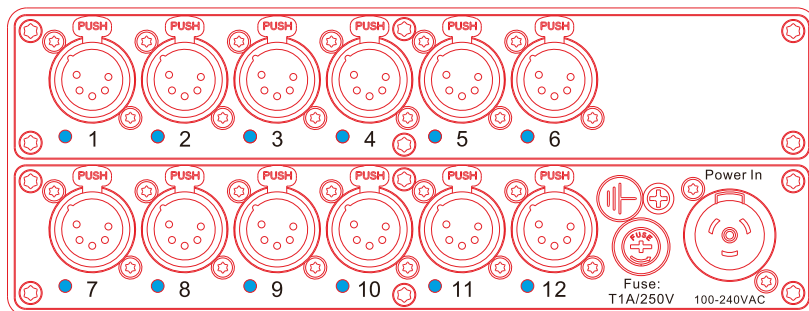
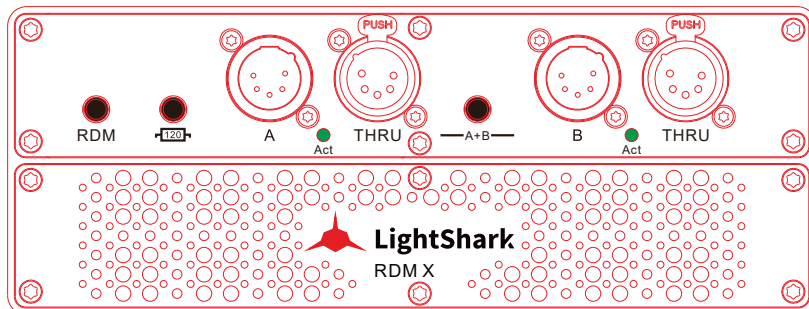
1.3 Box Content

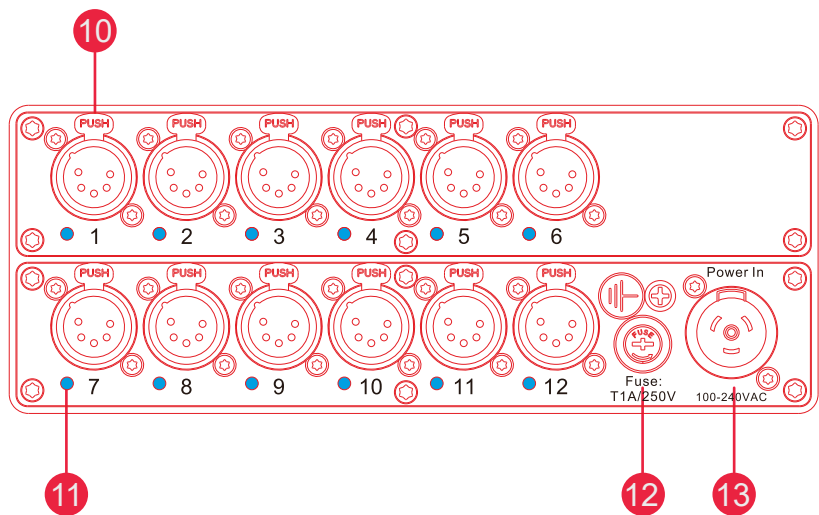
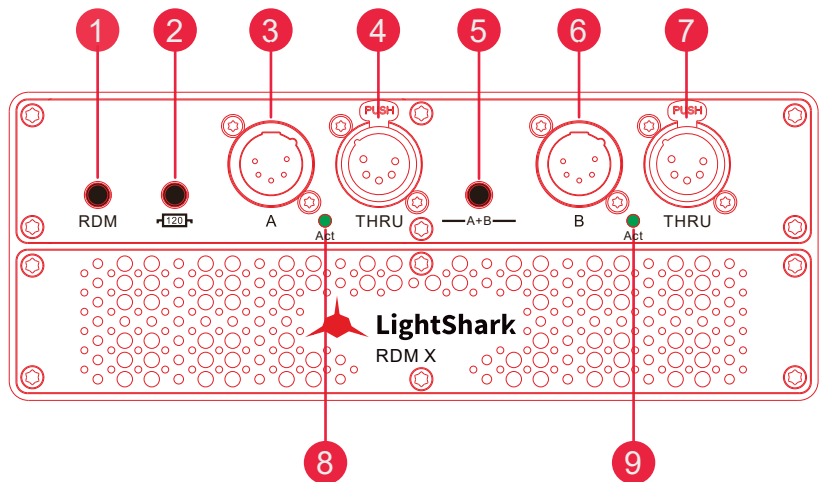
The following items are included in the box:

Device: RDMX.

Power Cable : the device includes a power cable with the appropriate regional plug.

1.4 Product Overview





- 1- RDM filter
- 2- Load insert
- 3- DMX input A
- 4- DMX input A Thru
- 5- 2x6 or 1x12 selector
- 6- DMX input B
- 7- DMX input B Thru
- 8- Input A activity LED
- 9- Input B activity LED
- 10- DMX output ports
- 11- Port Status LED
- 12- Fuse
- 13- Power Input

1.5 Device Connection

DMX Signal Output

To control fixtures or any DMX512-compatible equipment, connect the DMX output from your lighting console to input A or B of the RDMX unit. Then connect each fixture line to the corresponding output ports on the RDMX.

Using the A+B switch on the front panel, the output configuration can be set to either 2×6 or 1×12:

A+B OFF (2×6 mode):

DMX input A is routed to output ports 1–6.

DMX input B is routed to output ports 7–12.

The unit operates as two independent splitters in a single device.

A+B ON (1×12 mode):

DMX input A is distributed to all 12 output ports. All these outputs utilize standard 5-pin female XLR connectors.

It's important to note that although the connectors are 5-pin, internally the device applies the essential 3-pin DMX standard, assigning pin 1 to ground/shield, pin 2 to negative data (-), and pin 3 to positive data (+). Pins 4 and 5 have no active connection in this unit.

Front Panel LEDs color status

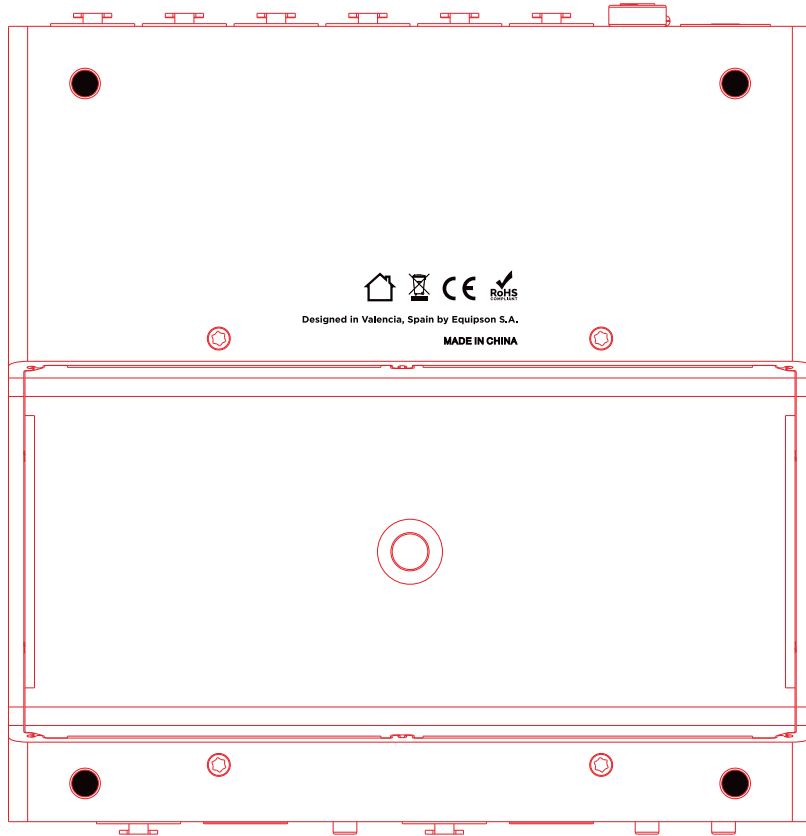
Color	Blink	Status
Yellow	YES	No DMX input detected and RDM disabled
Yellow	NO	DMX input detected and RDM disabled
Green	YES	No DMX input detected and RDM enabled
Green	NO	DMX input detected and RDM enabled

Rear Panel LEDs color status

Color	Blink	Status
Blue	YES	No DMX output detected
Blue	NO	DMX output detected

1.6 Clamp Mounting

The RDMX unit includes an integrated M10 threaded insert, allowing the use of a standard clamp for secure mounting to truss structures.



SECTION 2: Technical Specifications

DMX Inputs	2 (1x12 or 2x6)
DMX Input connectors	2 XLR 5-pin male
DMX Thru Oputputs	2 XLR 5-pin female
DMX Thru connectors	DMX input detected and RDM enabled
DMX Outputs	12 electrically isolated
DMX Terminator	Yes
Only DMX filter	Yes
DMX Input Indicators	2
DMX output indicators	12
Main connector	Seetronic Power Pro True
Operating Voltage	110-240VAC
Power Consumption	25W
Clamp Mounting	Yes, M10
Width	210 mm
Heigth	81mm
Depth	208 mm
Weight	2.07Kg